



LED monitor

User's Manual

DHI-LM32-F200

DHI-LM43-F200

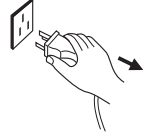
Contents

Safety Warning and Notice	1
Mounting and Connecting	3
Packing list.....	3
Mounting the LED monitor.....	3
Connecting peripheral equipment.....	3
Panel Control Keys	4
Remote Control	6
Basic Operations	7
Turning on/Standby.....	7
Signal source selection.....	7
Menu operation description.....	7
USB multimedia function.....	7
Troubleshooting	8
Technical Specifications	8
Base Installation Instructions	9
Installation instructions for Wall-mounted bracket	10

Under Following Conditions

- Power failure or unstable voltage.
- Abnormal sound or smell from the device.
- AC power cord is damaged.
- LED monitor is damaged due to falling off, knock or impact.
- Any liquid or foreign matters enter into the LED monitor.

Turn off the LED monitor immediately, unplug the power cord from the power outlet, and contact authorized maintenance personnel.



- **If coal gas or other flammable gases leak, do not unplug the power cord of the LED monitor or other electric appliances; instead, close the valve of the gas immediately and open the doors and windows.**

Safety Warning and Notice





Thanks for choosing the high-performance and multifunctional LED monitor produced by our company. This precious thing will bring you better audiovisual enjoyment. The design of this product has given consideration to factors affecting personal safety, and the product itself has gone through strict tests prior to delivery. However, improper operation may result in electric shock and fire disaster. To ensure safety, prolong the service life of this product, and make sure the best performance of this product can be given full play to, please read the manual and marking label carefully before using it and comply with the following safety instructions. Please keep the user manual for later use.

	Warning	May result in casualties
		Indicate the behaviors that must be prohibited
	Attention	May result in personal injury or property losses
		Indicate the operations that must be performed

Warning

- Only use 100-240VAC, 50/60Hz power supply.
- This LED monitor must be connected to a three pin socket outlet for safety.
- All cables can be connected or pull out only after power supply is turned off.
- Do not fix the LED monitor on instable position, or else it may cause falling off, damage, or even fire.
- Do not put the LED monitor in the environment:
 1. With direct sunshine, moisture, overheating, undercooling or heavy dust;
 2. With flammable or explosive substance;
 3. With flammable or corrosive gas;
 4. In bathroom, kitchen, etc.
- Do not use damaged or improper power socket, and ensure that the plug and socket are connected properly.
- Keep the power plug and socket free of dust and metal pieces.
- Do not damage the power cord:
 1. It is prohibited to refit the power cord;
 2. Do not put heavy object on the power cord;
 3. Keep the power cord away from heat source;
 4. Do not drag the power cord when unplugging.

Warning

-  ● Do not connect too many appliances to one power strip, or else it may cause fire due to high power consumption.
- Do not let open flame (e.g. lit candle) approach the LED monitor, or else it may cause electric shock or fire.
- Do not put the container filled with water on the LED monitor, to avoid electric shock or fire caused by water drop of splashing.
- Do not penetrate any sharp object, metal or liquid into the signal connector or air vents, to avoid short circuit and product damage as well as electric shock.
- The slots on the case is designed to release heat so as to assure that all inside components will not reach an extra high temperature and can work normally for a long time. Please do not cover the holes while place it.
-  Do not touch the plug with wet hands, or else it may cause electric shock.
-  Do not turn on the LED monitor in thunderstorm weather; instead, unplug the power plug to avoid lightning strike.
-  Do not disassemble the LED monitor by yourself, or else it may cause electric shock or fire. Contact qualified personnel for maintenance.

Attention

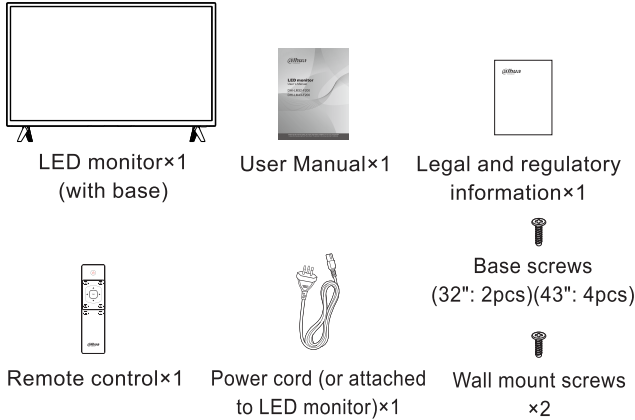
- Do not let children climb onto the LED monitor.
- Keep the small accessories away from children's reach to avoid swallowing.
- If the LED monitor won't be used for a long time, please turn off the device and unplug the power cord.
- Before cleaning the LED monitor, unplug the power cord and wipe with soft cloth; do not use chemical reagents and avoid foreign substances entering into the device. The incorrect cleaning (such as cleaning fluid, water, etc) may lead to damage of product's appearance, erasing products printing

Attention

- information, even flow into the machine and damage components, cause machine can not display.
- To adjust the position or angle of the LED monitor, please disconnect all wires and move slowly to avoid falling off.
 - Do not rub with hard object, knock at, bend or squeeze the screen.
 - Do not use machine immediately after transferring machine to the places with high temperature from low temperature, which will cause fogging inside machine and failures.
 - If the screen is broken and the liquid splashes on skin, please wash with clean water immediately for 15 minutes, and go to see your doctor.
 - To carry the LED monitor with hands, please grasp the corners and hold the bottom; do not apply force on the panel.
 - Displaying the same image for a long time or active image with fixed words, icons will leave "image persistence" on screen which will not disappear after powering off for a long time. This undesirable phenomenon is not covered by warranty.
 - Healthy LED monitor watching:
 1. Watch in appropriate light; poor light or long time watching may hurt your eyes.
 2. Adjust the volume appropriate to avoid hurting your hearing.
 - Unplug the power cord of the device to cut off the power supply.
 - If a power plug or appliance coupler is used as disconnecting device, it should ensure easy operation.
 - Power plug shall be connected reliably. Loose power plugs may cause sparkle and fire.
 - All the technical specifications in the user's manual and on the packaging are subject to changes without prior notice. If there is slight deviation between the user's manual and actual operation, the latter shall prevail.

Mounting and Connecting

Packing list

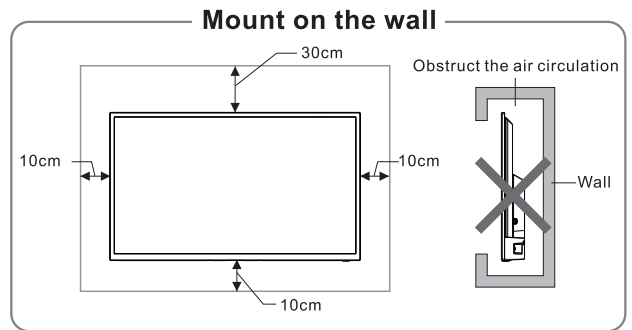
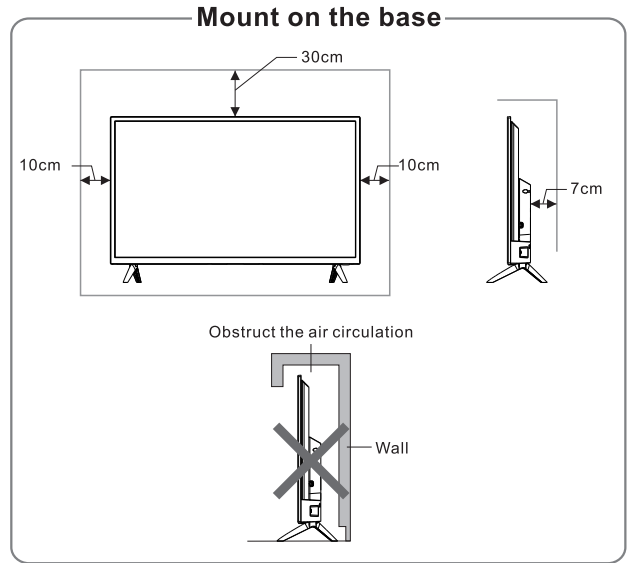


NO.	Name
1	The LED monitor(with base)
2	User Manual
3	Remote control
4	Legal and regulatory information
5	Power cord (or attached to LED monitor)
6	Base screws(32": 2pcs)(43": 4pcs)
7	Wall mount screws

Mounting the LED monitor

Tips on Installation

- The LED monitor should be mounted near the AC power socket for easy plugging and unplugging.
- For your safety, please select appropriate wall mount bracket or base.
- To avoid hurt, it is required to place the LED monitor on stable plane, or fix on firm wall.
- Ask qualified personnel to mount the LED monitor on the wall. Improper mounting may result in instable LED monitor.
- Do not place the LED monitor at any place susceptible to mechanical vibration.
- Do not place the LED monitor at any place that insects may enter.
- Do not mount the LED monitor against air conditioner, or else the internal panel of the display may condense moisture and cause failure.
- Do not place the LED monitor at any place with strong magnetic field, or else it may be interfered with and damaged by electromagnetic wave.



Ventilation

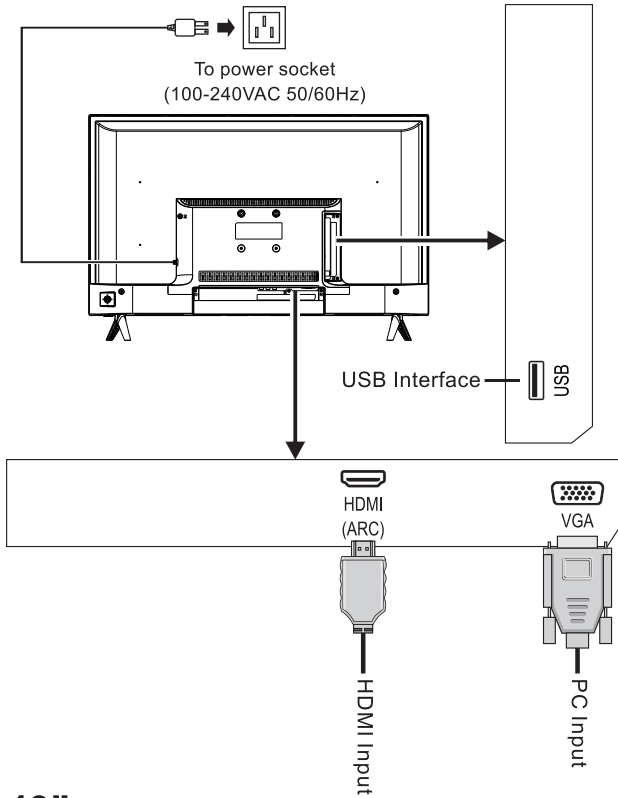
- Please keep this space at least around the LED monitor, as shown in the figure.
- Do not cover the air vents or insert any object into the enclosure.
- Do not put the device in limited space, e.g. bookcase or embedded closet, unless the LED monitor is properly ventilated.

Connecting peripheral equipment

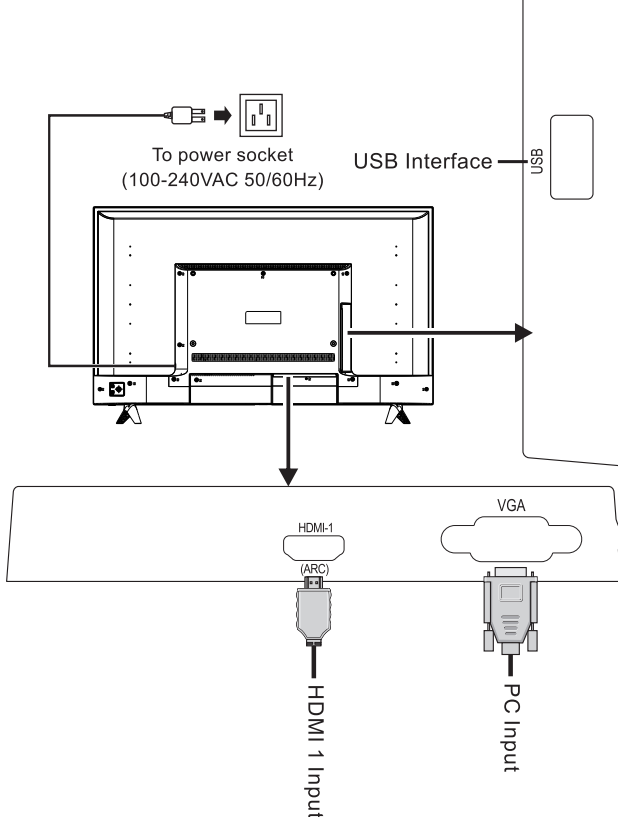
Remark:

1. When you need to connect the device which support the ARC function, please select the HDMI interface.
2. HDMI connector can realize DVI connector function with external HDMI/DVI commutator.
3. The peripheral equipment and cables described in this manual should be purchased separately.

32"

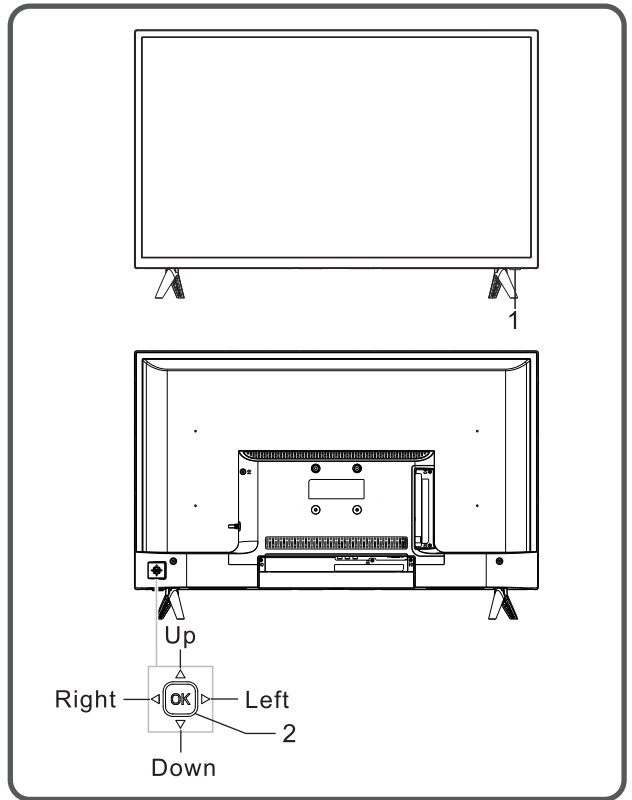


43"



Panel Control Keys

32"



1. Power LED indicator and remote receiving window.
2. Rocker button combination key:

Power on or standby with **OK** rocker:

- ①. When Plugged power cord into the electrical socket, you can press **OK** rocker to turn on the LED monitor.
- ②. In power on state, press **OK** rocker to display the function menu, then move rocker Left/Right to select \odot and press **OK** rocker to switch to standby mode.

After turn on the LED monitor, Press **OK** Rocker:

- ①. In non-OSD menu operation, press **OK** rocker to display the menu which includes 4 sorts: Menu, Input Source, Power, Exit. During the menu operation, press **OK** rocker to confirm the operation, the function is the same with pressing [**OK**] key on the remote control.
- ②. Under the non USB source menu, long press **OK** rocker 2 seconds to return to previous page.
- ③. Under the USB source menu, long press **OK** rocker 2 seconds to display the "Input Source" menu on the screen.

Move rocker **Left/Right**:

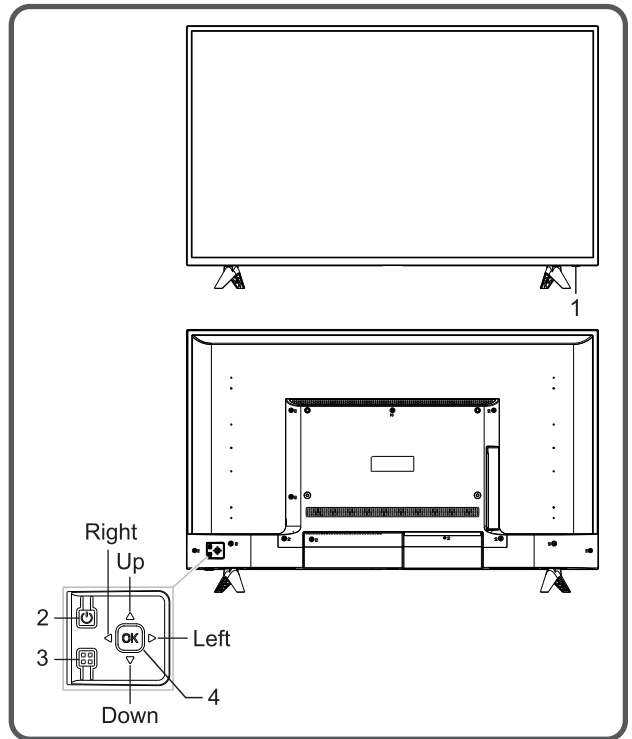
- ①. In non-OSD menu operation, move rocker **Left/Right** to decrease/increase the volume, the function is the same with pressing [-]/[+] key on the remote control.
- ②. In OSD menu operation, move rocker **Left/Right** to adjust the analog value of selected item, the function is the same with pressing [◀]/[▶] key on the remote control.

Move rocker **Up/Down**:

In OSD menu operation, move rocker **Up/Down** to select the adjustment items, the function is the same with pressing [▲]/[▼] key on the remote control.

Note: Different models may have different appearances; please refer to the actual device.

43"



- 1) Power LED indicator and remote receiving window.
- 2) ⏻ Standby: To switch the LED Monitor on or back to standby.
- 3) ≡ Menu key: Press this key to display the main menu. In OSD menu operation, press this key to return to the previous menu, the function is the same with pressing [≡] key on the remote control.
- 4) Rocker button combination key:
Press **OK** Rocker :
Press **OK** rocker to enter source menu, the function is the same with pressing [↵] key on the remote control.

Move rocker **Up/Down**:

In OSD menu operation, move rocker **Up/Down** to select the adjustment items, the function is the same with pressing [▲]/[▼] key on the remote control.

Move rocker **Left/Right**:

- ①. In non-OSD menu operation, move rocker **Left/Right** to decrease/increase the volume, the function is the same with pressing [-]/[+] key on the remote control.
- ②. In OSD menu operation, move rocker **Left/Right** to adjust the analog value of selected item, the function is the same with pressing [◀]/[▶] key on the remote control.

Note: Different models may have different appearances; please refer to the actual device.

Remote Control

Keys of the Remote Control

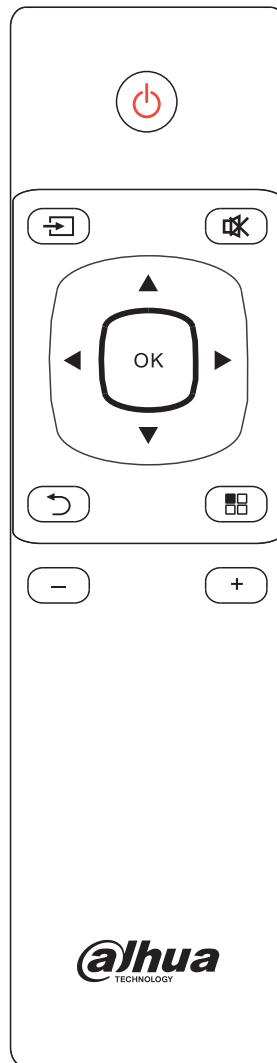
Method for Installation of Remote Control Battery

Remove the battery compartment cover and insert two AAA (No. 7, 1.5V) batteries; make sure the polarity of the batteries is in compliance with the polarity mark "+" and "-" in the battery compartment of the remote control.

Precautions for using the remote control

- The remote control should be pointed at the remote control sensor during operation. An object placed between the remote control and the remote control sensor may impede normal operation.
- The remote control should be prevented from strenuous vibration. Besides, please do not set or place the remote control under direct sunshine, as heating power may result in deformation of the remote control.
- Remote control failure may occur when the remote control sensor of the main unit is under direct sunshine or strong lighting; in this case, please change the angle of lighting or this LED monitor, or operate the remote control near the remote control sensor.
- Low battery will influence the remote control distance, in which case, the battery should be replaced with a new one. If the remote control is going to be idle for a long time or the battery runs out, please take the battery out to prevent the remote control from being corroded by battery leakage which may result in damage and failure of the remote control.
- Please do not use batteries of different types. It is not allowed to use old and new batteries together; the batteries should be replaced in pair.
- Please do not throw the batteries into fire or charge or decompose the batteries; do not charge, short-circuit, disassemble/assemble, heat or burn used batteries. Please dispose the waste batteries pursuant to relevant regulations on environmental protection.

Note: The appearance of the remote control may be different from this diagram; please refer to the real object as standard.



Key	Function
POWER (🔌)	Switch between normal working and standby.
MUTE (🔇)	Turn on/off the sound.
SOURCE(➡)	Press this key to display signal source selection menu.
RETURN(↶)	Exit the menu page or return to the previous page under the signal source.
MENU(📊)	Press this key to call out the main menu.
▲/▼/◀/▶	Select items or adjust values.
OK	Confirm the operation.
+	Turn up the volume.
-	Turn down the volume.

Basic Operations

Remark:

1. The following keys operation refers to remote control operation, for panel control keys operation please refer to "**Panel Control Keys**" operation explanation.
2. The menu operation in this manual uses the example in LED monitor input source; the operations in other input source are same as the LED monitor.

Turning on/Standby

Connect the power supply, and press [⏻] key to turn on the LED monitor. (**Notice:** Please make sure that the power supply is stable)

In power on state, press [⏻] key to switch to standby mode.

★ **Special Tips:** This device adopts energy saving technology. If there is no signal input in power on state, it will enter standby state automatically in five minutes; The device will enter standby state automatically at specified sleep time;

Signal source selection

You can connect various devices to the LED monitor and view high quality images. If the video device has HDMI, VGA or other output ports. You can select one of them and connect to corresponding input ports of the LED monitor. After connected, turn on the device and press [↔] key to show the "**Input Source**" menu on the screen; press [▲]/[▼] key to select a signal source. Press [OK] key to switch to the selected signal source.

Menu operation description

Press [☰] key to show the main menu on the screen:

1. Press [◀]/[▶] key to select a menu from **PICTURE, SOUND, OPTION**.
2. Press [▲]/[▼] key to select an item in the menu.
3. Press [OK] key to set or enter the submenu.
4. Press [◀]/[▶]/[▲]/[▼] key to set.
5. When the main menu shows on the screen, press [☰] key to exit the main menu. Press [☰] key to return to previous menu when the LED monitor display the sub-menu.
6. During menu operation, the icons of invalid options will change into grey.

USB multimedia function

Please insert USB storage device into USB interface of LED monitor, and select USB as signal source. Enter the USB multimedia center, which includes 4 sorts: PHOTO, MUSIC, MOVIE and TEXT.

Remark:

1. *Compatible USB media files: video, audio, picture, and text. The nonstandard USB storage devices may be incompatible; please replace with standard devices;*
2. *Stream media system has limitation on every kind of file format, and will report error if beyond system limit;*
3. *Do not unplug the USB device while playing, or else it will cause system or device error;*
4. *The system supports USB flash drive and removable hard disk with standard USB1.1 and USB2.0 interface transmission protocol. The file format of USB device must be FAT or FAT32, instead of NTFS.*
5. *The USB interface of this LED monitor can supply a voltage of 5V and the maximum current is 500mA; accurate identification of the multimedia player will be affected when a storage device above 500mA is used, which is a normal phenomenon.*

While playing, press [OK] key to show the function menu as in the picture below; press [▼] key to hide the function bar. Select an icon, and press [OK] key to perform the operation.

Troubleshooting

- **LED monitor image is blurry, and has noise.**
 1. Use signal amplifier.
 2. Enter main menu to reset the sound system.
- **No screen display, no sound, indicator is off.**

Check if the power cord is connected properly.
- **LED monitor image has point, line or stripe interference.**

Do not use hair drier near the device.
- **Image has no color.**
 1. Enter main menu to increase the saturation.
 2. Enter main menu to change the color system.
- **LED monitor doesn't have sound.**
 1. Adjust the volume properly.
 2. Press "M" key on the remote control to turn on the sound.
 3. Enter main menu to change the sound system.
- **PC doesn't have display, no signal input.**

Check whether the signal cable is loose or falls off, and reconnect the cable.
- **Remote control distance becomes short, out of control.**
 1. Move the object to avoid blocking the receiver window.
 2. Replace the battery.
- **PC display is blurry.**
 1. Use automatic adjustment.
 2. Use recommended mode.
- **PC image offset, can't fit the screen or beyond the screen.**
 1. Use automatic adjustment.
 2. Enter "PC Setting" to adjust the vertical or horizontal position.
 3. Use recommended mode.
- **Noise Signals at turning off.**

It is normal.
- **Can't operate the device.**

Disconnect the power supply first, and connect the power supply after about 1-2 minutes, then turn on the LED monitor again.

Technical Specifications

Master unit

32"

Max. Resolution	1920×1080
Best Resolution	1920×1080@60Hz
Power Supply	100-240VAC 50/60Hz
Power Consumption of Speaker	6W+6W

43"

Max. Resolution	1920×1080
Best Resolution	1920×1080@60Hz
Power Supply	100-240VAC 50/60Hz
Power Consumption of Speaker	8W+8W

Dimension (L×W×H) and Weight

32"

Excluding base	Unpacking: 731×68×433(mm ³)
Including base	Unpacking: 731×177×486(mm ³)
	Packing: 797×108×483(mm ³)
	Net Weight: 3.9kg Gross Weight: 5.1kg

43"

Excluding base	Unpacking: 969×73×566(mm ³)
Including base	Unpacking: 969×235×618(mm ³)
	Packing: 1080×119×652(mm ³)
	Net Weight: 7kg Gross Weight: 9kg

Operating environment:

Temperature: 0°C~40°C

RH: 10%~85%

Atmospheric pressure: 86kPa~106kPa

Storage environment:

Temperature: -20°C~60°C

RH: 5%~95%

Atmospheric pressure: 86kPa~106kPa

Technical specifications for LED monitor

HDMI video input: 480i, 480P, 576i, 576P, 720P, 1080i, 1080P.

VGA display mode

NO.	Mode	Resolution	Refresh rate
1	VGA	720×400	70Hz
2		640×480	60Hz
3	SVGA	800×600	60Hz
4	XGA	1024×768	60Hz
5		1280×720	60Hz
6	WXGA	1360×768	60Hz
7		1600×900	60Hz
8	WUXGA	1920×1080	60Hz

Recommended mode: 1920X1080@60Hz

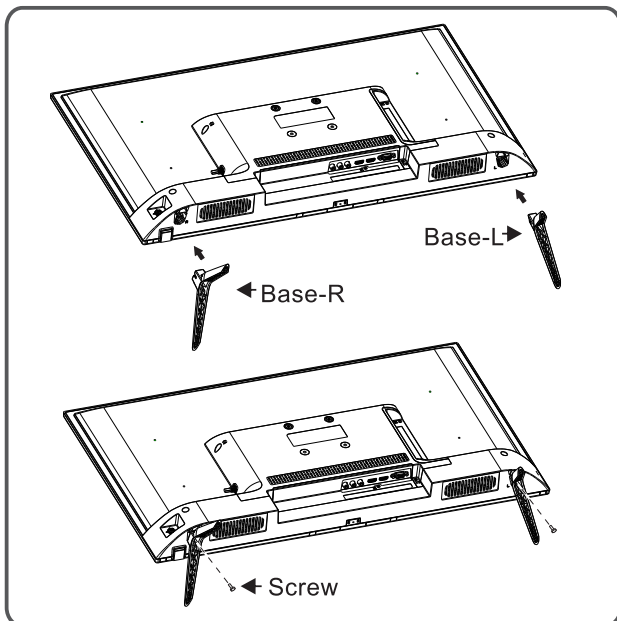
Power management

Mode	Power Consumption	
	32"	43"
Normal working	≤55W	≤75W
Standby	≤0.5W	≤0.5W

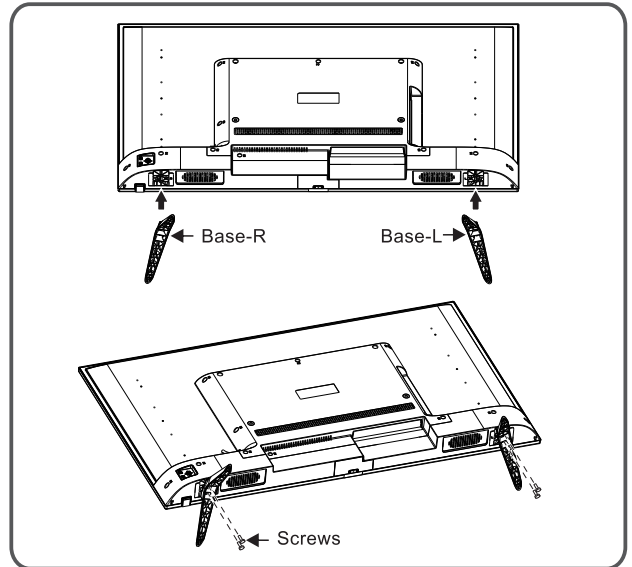
Base Installation Instructions

Put the machine flat first, distinguish left and right base and base installation front and back direction, then install the bases in the bottom of the machine back cover as arrow direction in figure. Align screw holes, then fasten screws (notice that base module has to be adjusted at figure status, otherwise it cannot be installed in.)

32"



43"

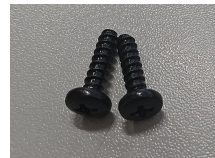


32"

Base screws	ST4×15mm flat tail self-tapping screws 2pcs (included in accessories)
-------------	---

43"

Base screws	ST5×15mm flat tail self-tapping screws 4pcs(included in accessories)
-------------	--



Base screws(32")



Base screws(43")

Remark: The actual base and machine appearance may be different from pictures; please refer to the actual device.

Installation instructions for Wall-mounted bracket

Notice:

These models are not equipped with a wall mounting device. The installation instructions for the wall mounting device are for reference only, the installation method and accessories are based on the purchased rack.

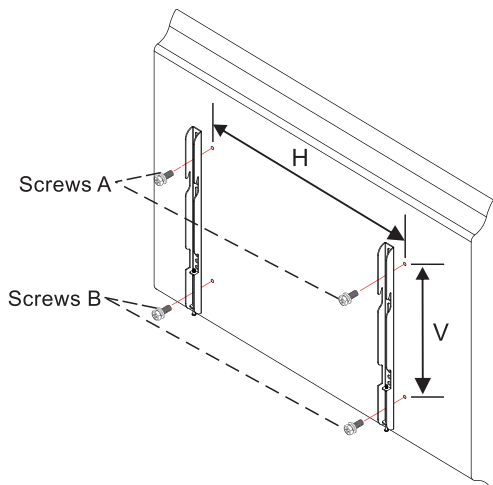
Warning

- Please purchase a suitable LED monitor wall mount when mounting your LED monitor on the wall.
- Ensure that the bearing capacity of the wall for mount installation is no less than 4 times the weight of the LED monitor and the wall mount so as to avoid falling.
- Please refer to the instructions provided with the LED monitor and wall mount for installation.
- Make sure there is no cable or conduit in the wall section where a wall mount will be installed.

Select the normal viewing area of LED monitor

1. Height The vertical height of the center point of the LED monitor screen from the ground should be in the range of 1m-2m.
2. The normal horizontal viewing area should be within $\pm 60^\circ$ of the normal horizontal direction of the LED monitor screen.
3. The normal viewing area in the pitch direction should be within $\pm 15^\circ$ of the normal vertical direction of the LED monitor screen.

 **Note: The installation process requires at least two people!**

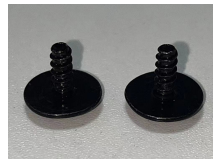


32"

Screws A	2×M4	Need to be purchased by customer, the specific length depends on the actual wall mount thickness.
Screws B	2×ST4	ST4×10mm flat tail self-tapping screws(included in accessories)

43"

Screws A	2×M6	Need to be purchased by customer, the specific length depends on the actual wall mount thickness.
Screws B	2×ST6	ST6×8mm flat tail self-tapping screws(included in accessories)

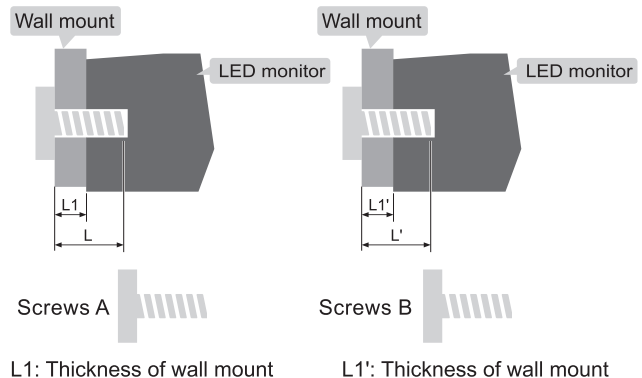


Wall mount screws B(32") Wall mount screws B(43")

Screws A: Need to be purchased by customer, the specific length depends on the actual wall mount thickness.

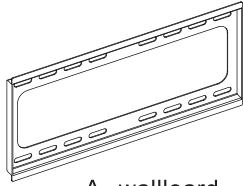
Suggested specification of screw

Distance between holes on the wall (H×V)(mm)	Required screws (recommended bolt length)(mm)
32": 75×75	Screws A: 2×M4 (L=8+L1), Machine screws Screws B: 2×ST4 (L'=8+L1'), Flat tail self-tapping screws
43": 400 x 200	Screws A: 2 x M6 (26.5+L1 ≤ L ≤ 30+L1), Machine screws Screws B: 2 x ST6 (5+L1' ≤ L' ≤ 7+L1'), Flat tail self-tapping screws



The Company is not responsible for any injury or damage caused by improper installation or use of this product! Small accessories and plastic bags, please keep away from children!

• **Main parts:**






A--wallboard
1pcs

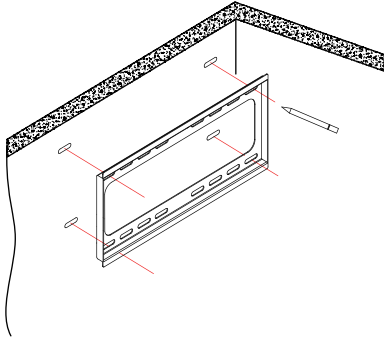


B-- Hanging strip
2pcs

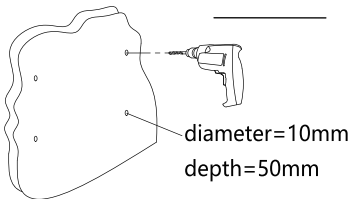
• **Assemble the hardware:**

		
b-Wood grain screw 4pcs	c-Expansion rubber plug 4pcs	M8 gasket 4pcs

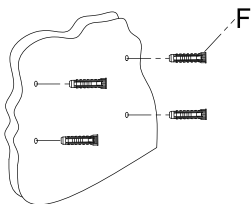
Step 1: Determine the installation holes in different ways according to different walls
1. Draw the mounting holes on the wall as shown in Figure 1 to determine the level.



2. Drill holes according to different wall positions
a. Installation method of cement and concrete walls

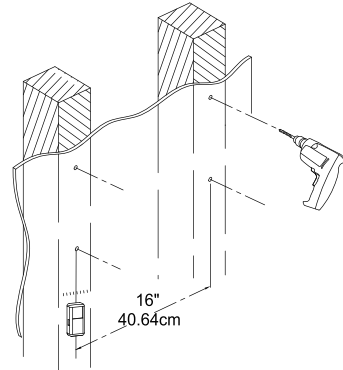


Drill a 50mm hole with a 10mm diameter drill bit



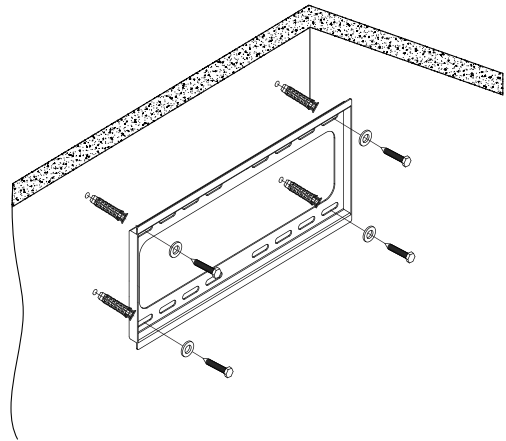
Insert the expansion plug into the hole

b. Wood wall installation method

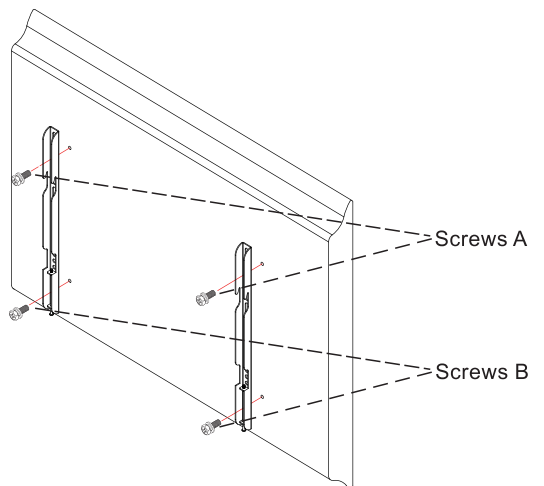


Drill a 50mm hole with a 5.5mm diameter drill bit

Step 2: Mount the product to the wall



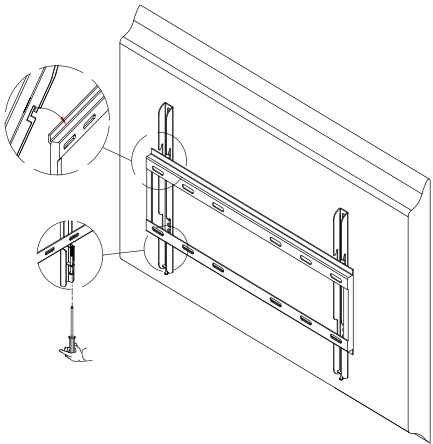
Step 3: Attach the LED monitor connector to the back of the LED monitor



⚠ Note:

- Please buy the wall screws according to the actual situation.
- If there are flat tail self-tapping screws in the accessories, please decide whether it is suitable for use according to the actual situation of the wall mount.
- Please choose the screw and gasket corresponding to the screw hole on the back of the LED monitor. Improper selection and forced installation will cause the hole on the back of the LED monitor to be damaged, and improper installation may cause the LED monitor plane to tilt.

Step 4: Hang the LED monitor on the wall panel assembly (Hang the LED monitor through the connector on the wall panel assembly until the hook is fully attached)



⚠ Notice: This step requires the assistance of two people.

⚠ Notice : The installation of LED monitor and this wall mount bracket must have professional technical knowledge, and require at least two professionals to carry out all installation work of this device, do not try to install this device without authorization, so as to avoid misinstallation and possible injury caused by it.

ZHEJIANG DAHUA VISION TECHNOLOGY CO., LTD.

Address: No.1199 Bin'an Road, Binjiang District, Hangzhou, P. R. China | Website: www.dahuasecurity.com | Postcode: 310053

Email: overseas@dahuatech.com | Fax: +86-571-87688815 | Tel: +86-571-87688883